

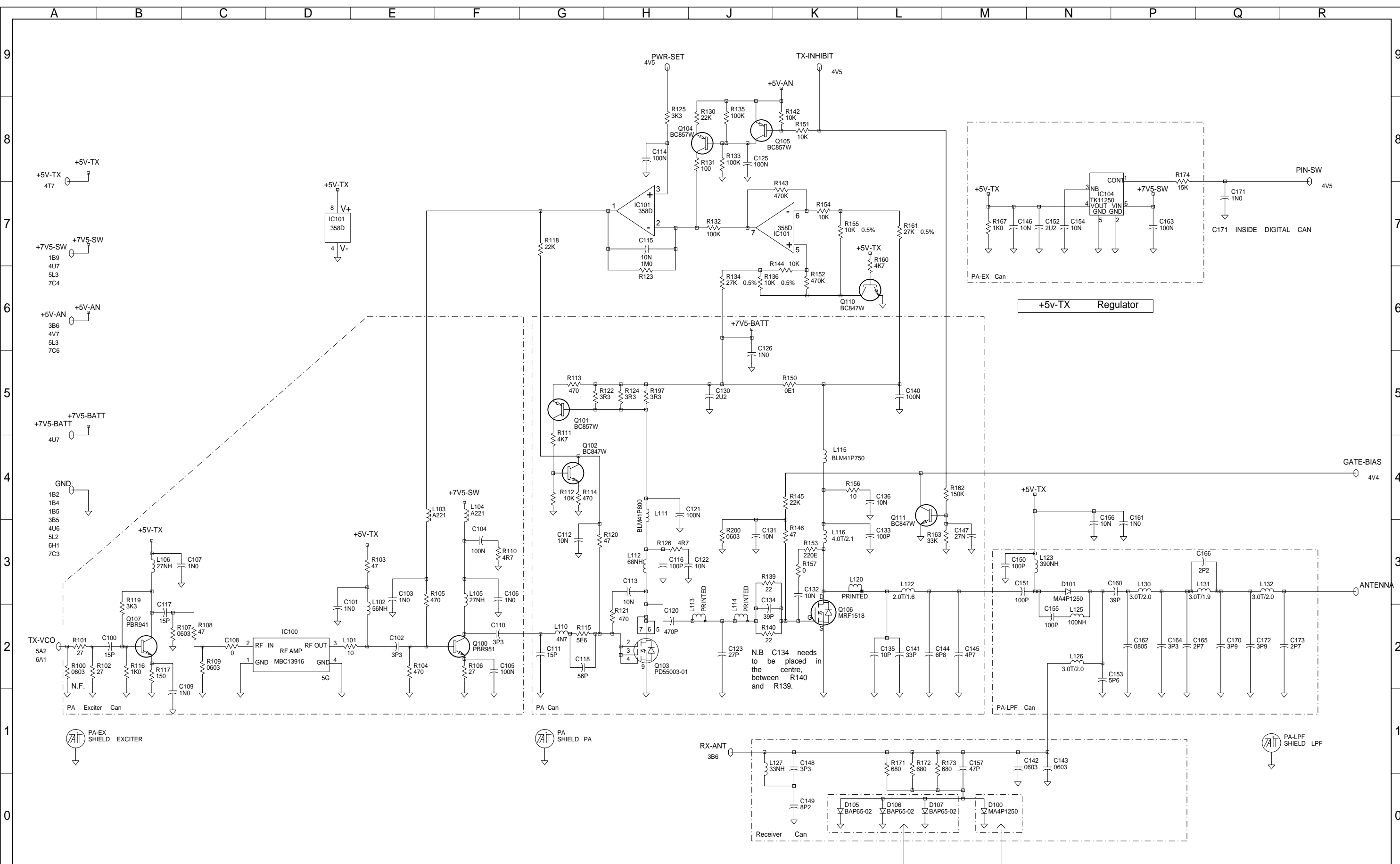
| | | | | | | |
|---------|----------------------------------|-------|------|------|----------|----------|
| 06C | ECO 50 1650 VALUES UPDATED | BRD | | | 23-08-02 | |
| 06B | ECO 50 1650 VALUES UPDATED | BRD | | | 22-08-02 | |
| 06A | DCO NO. 1624-008 | BRD | | | 07-05-02 | |
| 05A | CCO NO. 1624-007 | BRD | | | 29-03-01 | |
| 04A | CCO. NO. 1624-006 | BRD | | | 20-03-01 | |
| 03B | CCO NO 1624-005 | BRD | | | 08-06-00 | |
| 03A | ECO NO 50 0788 | CJK | JJ | | 29-05-00 | |
| 02A | CCO NO.1624-004 AMP CHANGES | TS | | | 16-12-99 | |
| 01A | INITIAL DES CCO 1624/001 002 003 | BRD | JJ | CK | GR | 25/11/99 |
| REV/ISS | AMENDMENTS | DRAWN | CHKD | D.O. | APVD | DATE |

| | | | | | |
|-----|--------------------------------|-----|--|--|----------|
| 06I | REGENERATED NEW PASTE FOR SMD | BRD | | | 16-10-03 |
| 06H | ECO 10320 0031 VALUE CHANGES | BRD | | | 24-01-03 |
| 06G | PLC GENERATED | BRD | | | 22-01-03 |
| 06F | CREATED POSTSCRIPTS OF SCHEMS | BRD | | | 16-12-02 |
| 06E | ECO 103200012 PA VALUE CHANGES | BRD | | | 11-12-02 |
| 06D | NEW PASTE GENERATED | BRD | | | 04-09-02 |

© TAIT ELECTRONICS
 TAIT ORCA : 450-530 MHZ
 SYSTEM DIAGRAM

PROJECT: 220-01624-06
 DESIGNER: ORCA
 FILE NAME: 1624006i
 FILE DATE: 16-Oct-03
 ISSUE: 1
 ID: 2.SC. 1
 NO.SHEETS: 7



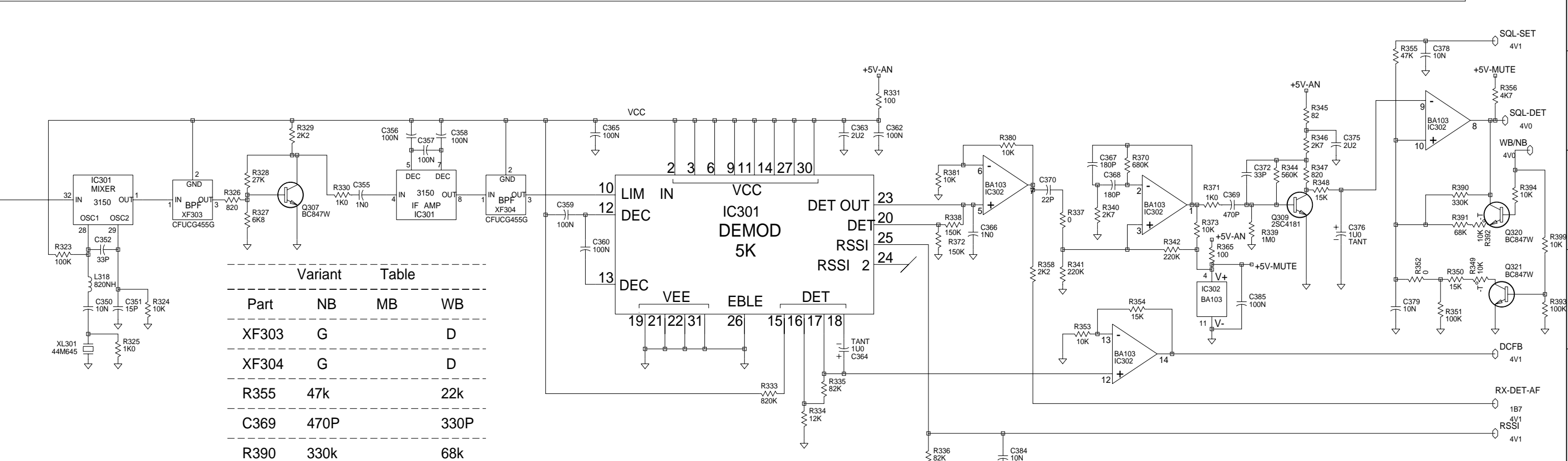
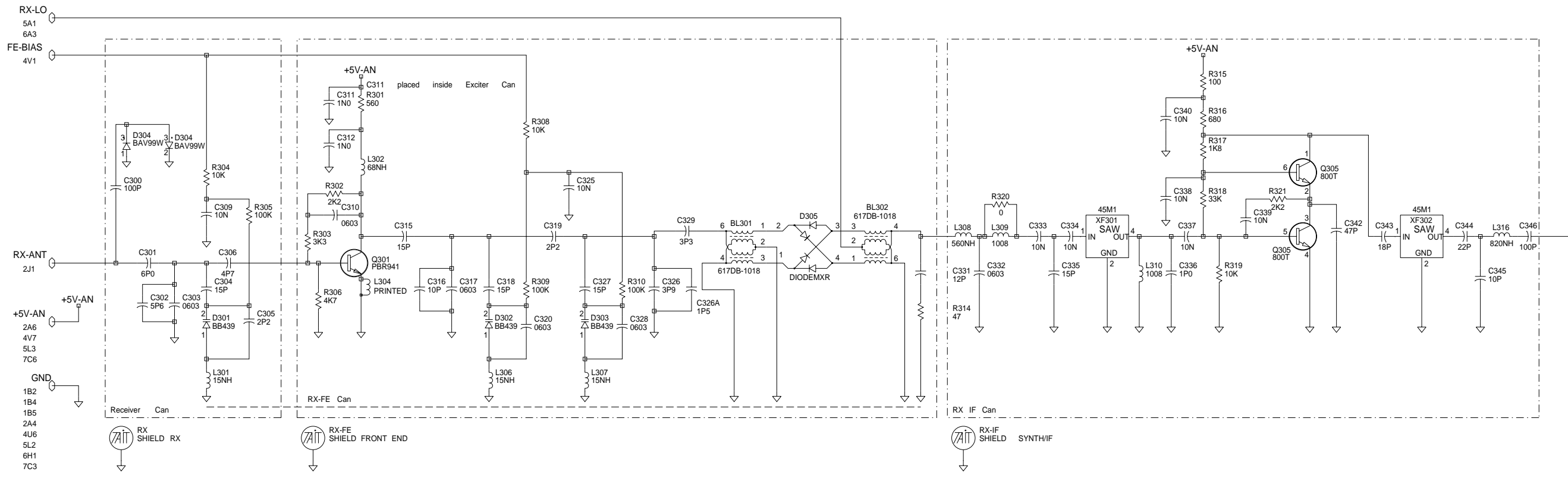


N.B C134 needs to be placed in the centre, between R140 and R139.

DUAL PLACEMENT Place Either Or
Place D105, D106, D107 or Only D100

| | |
|---|----------------------|
| © TAIT ELECTRONICS | |
| TAIT ORCA : 450-530 MHZ POWER AMPLIFIER | |
| IPN: 220-01624-06 | ISSUE: 1 |
| PROJECT: ORCA | DESIGNER: BRD |
| FILE NAME: 162406i | FILE DATE: 16-Oct-03 |
| NO. SHEETS: 7 | ID: 2.S.C. 2 |

| | | | | |
|---------|-----------------|-------------|-------|----------|
| 02A | CCO NO.1624-004 | AMP CHANGES | TS | 16-12-99 |
| REV/ISS | AMENDMENTS | | DRAWN | CHKD |
| A | B | C | D | E |



Variant Table

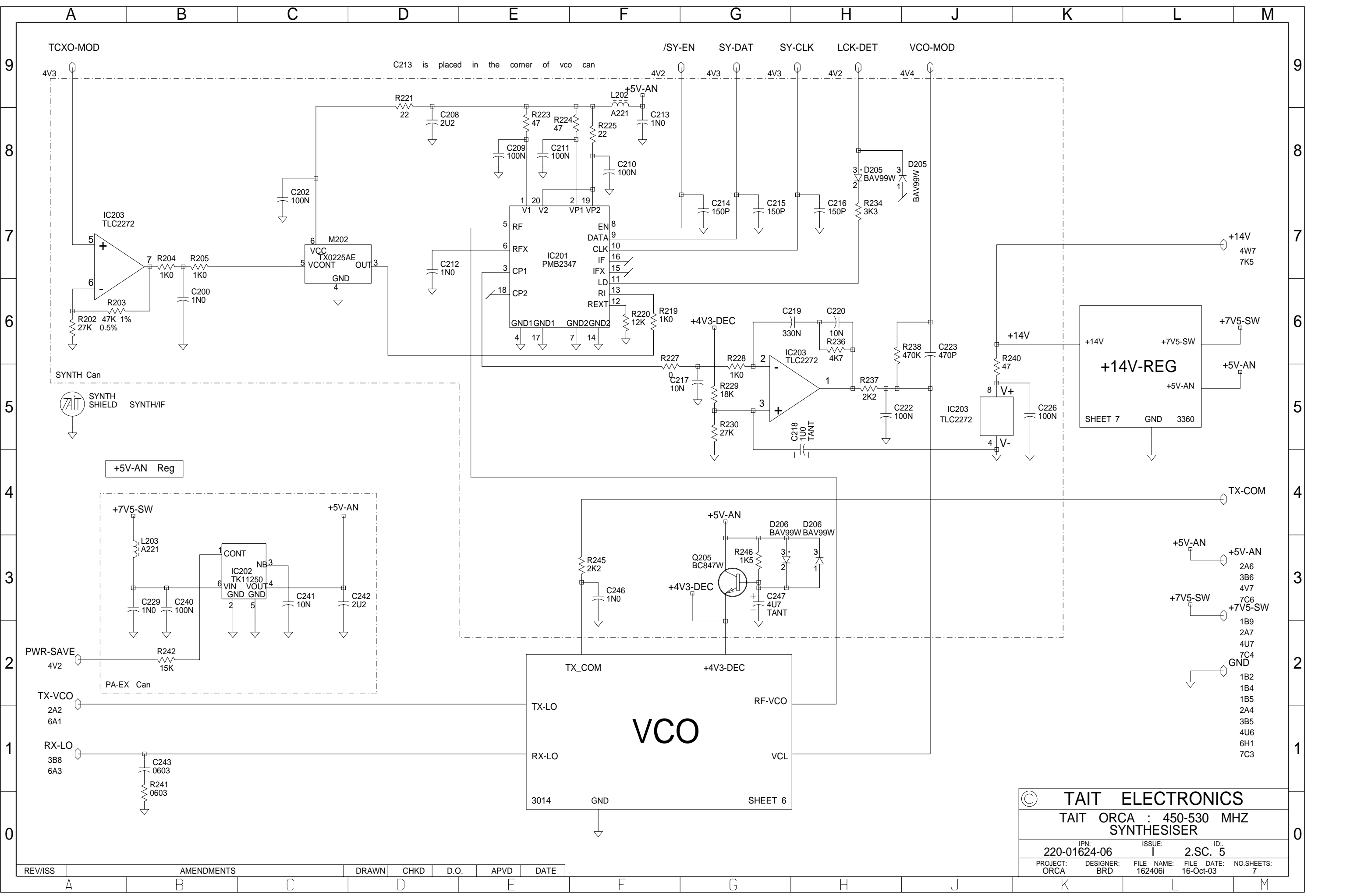
| Part | NB | MB | WB |
|-------|------|----|------|
| XF303 | G | | D |
| XF304 | G | | D |
| R355 | 47k | | 22k |
| C369 | 470P | | 330P |
| R390 | 330k | | 68k |

TAIT ELECTRONICS
TAIT ORCA : 450-530 MHz RECEIVER

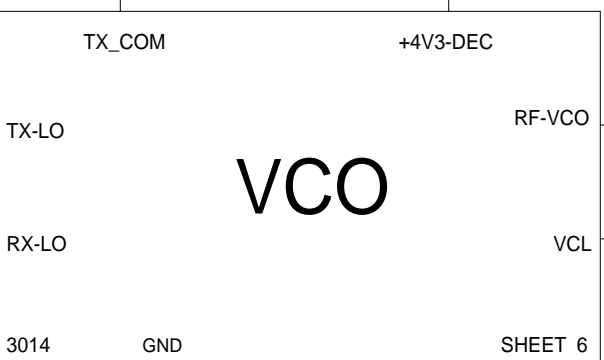
IPN: 220-01624-06 ISSUE: 1 2.SC. 3 ID: 162406i

PROJECT: ORCA DESIGNER: BRD FILE NAME: 162406i FILE DATE: 16-Oct-03 NO. SHEETS: 7

| REV/ISS | AMENDMENTS | DRAWN | CHKD | D.O. | APVD | DATE |
|---------|------------|-------|------|------|------|------|
| | | | | | | |



C213 is placed in the corner of vco can

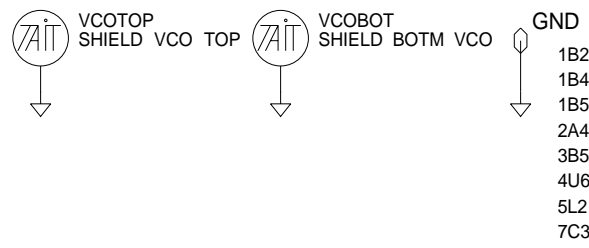
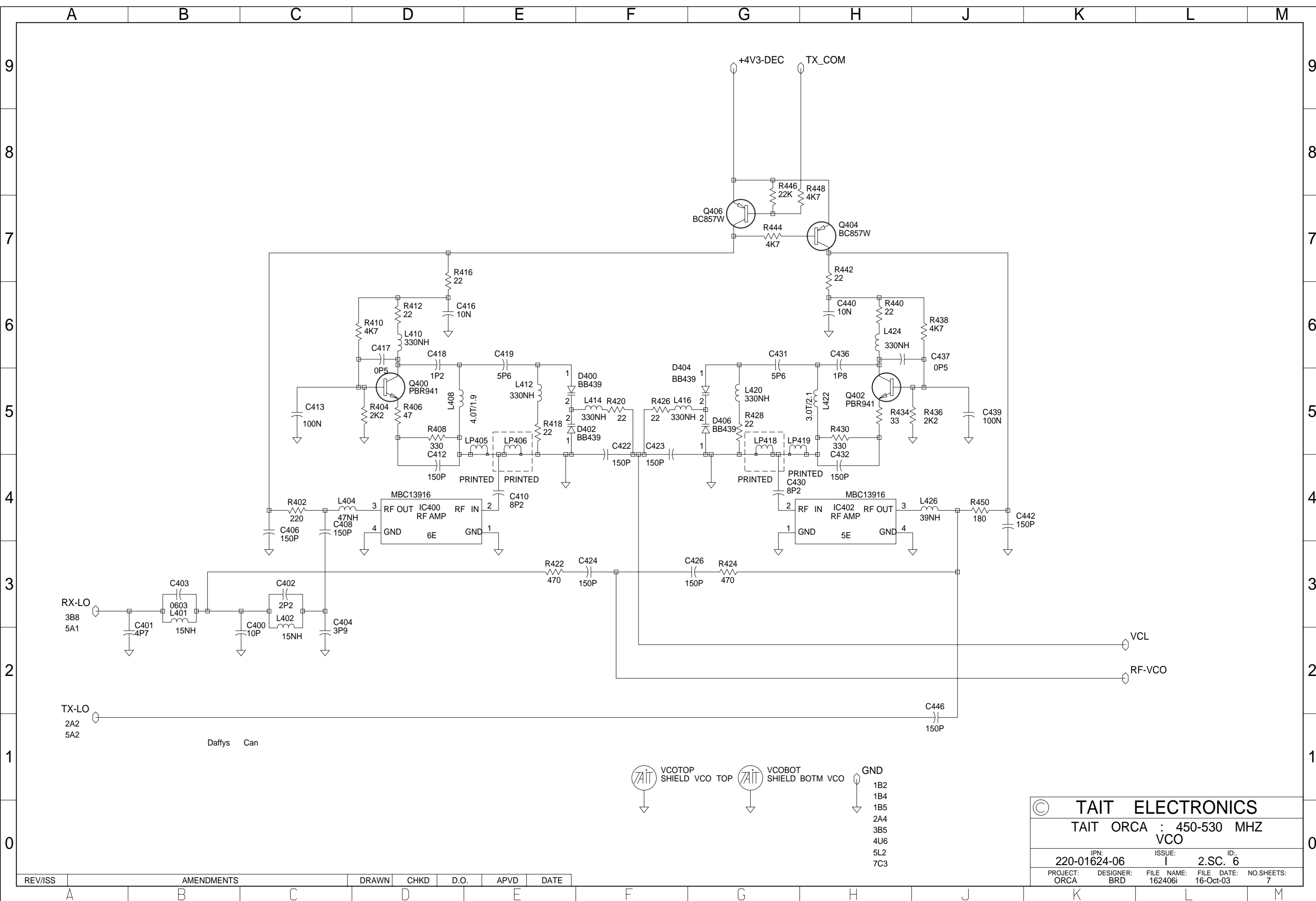


- TX-COM
- +5V-AN
- +5V-AN
- +7V5-SW
- +7V5-SW
- 2A6
- 3B6
- 4V7
- 7C6
- 4U7
- 7C4
- GND
- 1B2
- 1B4
- 1B5
- 2A4
- 3B5
- 4U6
- 6H1
- 7C3

© TAIT ELECTRONICS
 TAIT ORCA : 450-530 MHz SYNTHESISER

| | | |
|-------------------|----------------------|--------------------|
| IPN: 220-01624-06 | ISSUE: I | ID: 2.S.C. 5 |
| PROJECT: ORCA | DESIGNER: BRD | FILE NAME: 162406i |
| | FILE DATE: 16-Oct-03 | NO.SHEETS: 7 |

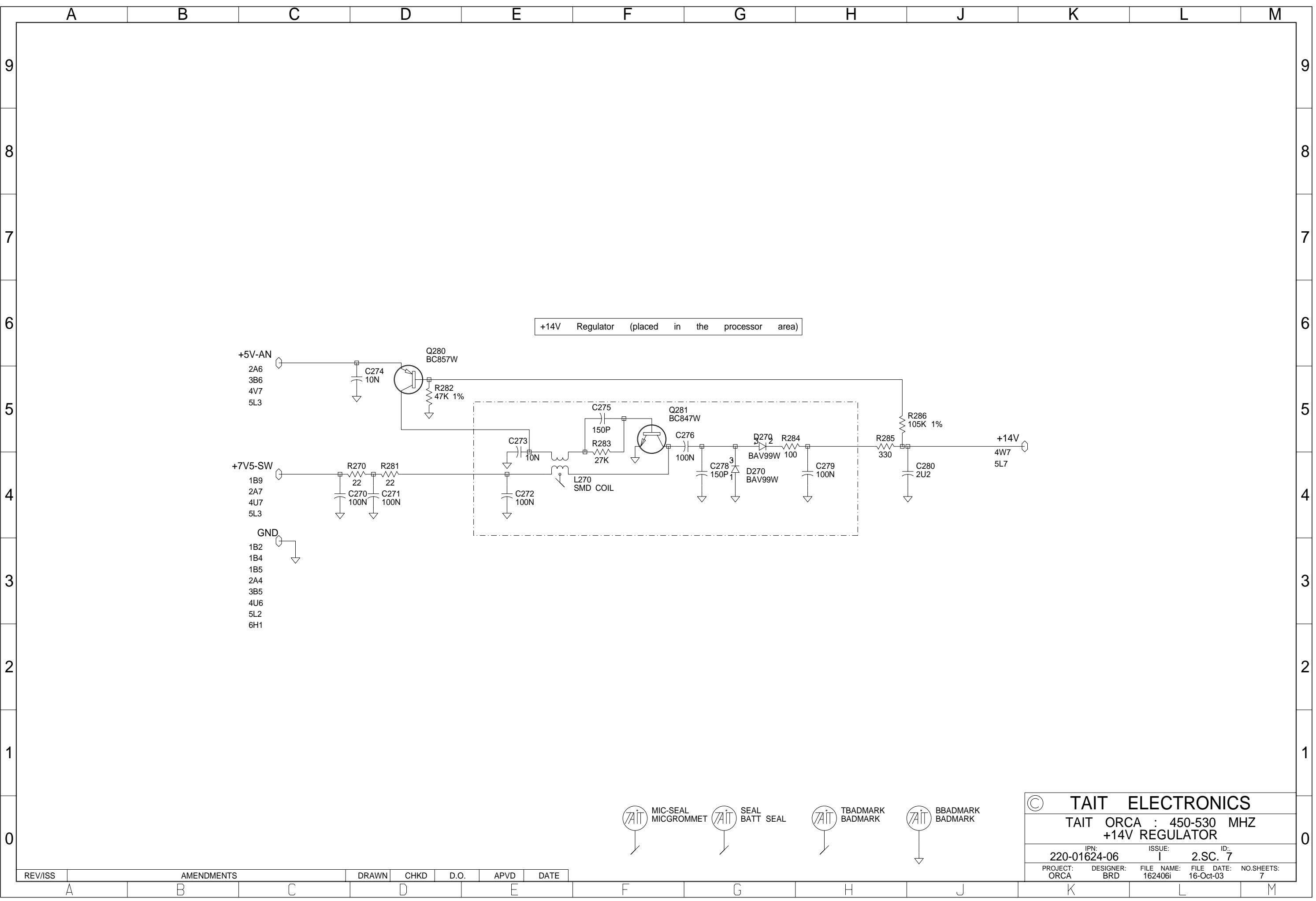
| REV/ISS | AMENDMENTS | DRAWN | CHKD | D.O. | APVD | DATE |
|---------|------------|-------|------|------|------|------|
| | | | | | | |



© TAIT ELECTRONICS
 TAIT ORCA : 450-530 MHZ
 VCO

| | | |
|----------------------|-------------------------|-----------------------|
| IPN: 220-01624-06 | ISSUE: 1 | ID: 2.SC. 6 |
| PROJECT: ORCA | DESIGNER: BRD | FILE NAME: 162406i |
| | FILE DATE: 16-Oct-03 | NO.SHEETS: 7 |

| REV/ISS | AMENDMENTS | DRAWN | CHKD | D.O. | APVD | DATE |
|---------|------------|-------|------|------|------|------|
| | | | | | | |




+14V Regulator (placed in the processor area)

+5V-AN
2A6
3B6
4V7
5L3

+7V5-SW
1B9
2A7
4U7
5L3

GND
1B2
1B4
1B5
2A4
3B5
4U6
5L2
6H1

© TAIT ELECTRONICS
 TAIT ORCA : 450-530 MHZ
 +14V REGULATOR
 IPN: 220-01624-06 ISSUE: 1 ID: 2.SC. 7
 PROJECT: ORCA DESIGNER: BRD FILE NAME: 162406i FILE DATE: 16-Oct-03 NO.SHEETS: 7

- 
 MIC-SEAL
MICGROMMET
- 
 SEAL
BATT SEAL
- 
 TBADMARK
BADMARK
- 
 BBADMARK
BADMARK

| REV/ISS | AMENDMENTS | DRAWN | CHKD | D.O. | APVD | DATE |
|---------|------------|-------|------|------|------|------|
| | | | | | | |